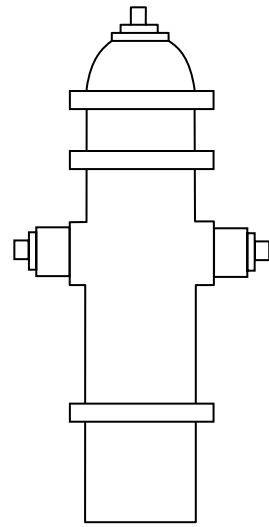


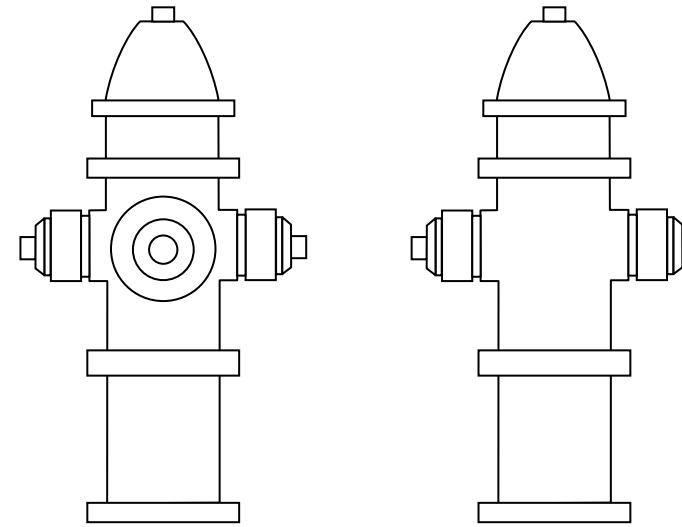
Fire Hydrant Style Sheet

Your hydrant style will determine which designs you may choose from. Please choose the profile that most closely matches your hydrant. If your hydrant does not match any of the styles shown, you may adapt any of our designs to your particular hydrant. If you have any questions, please call Communications & Special Projects at 235-7590.

Style A



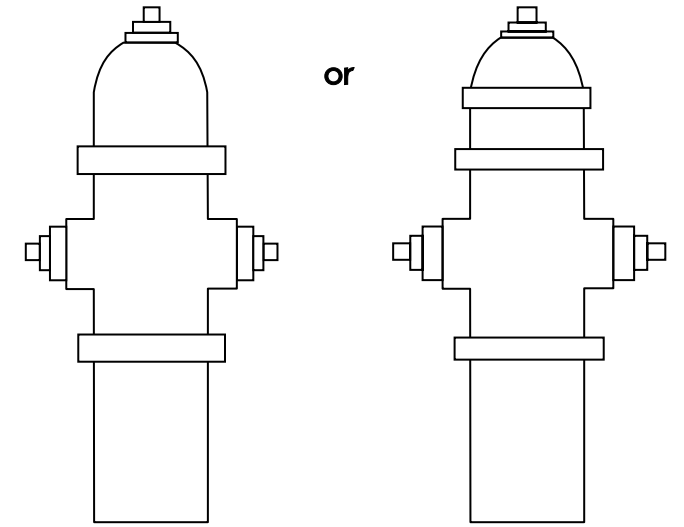
Style B



front

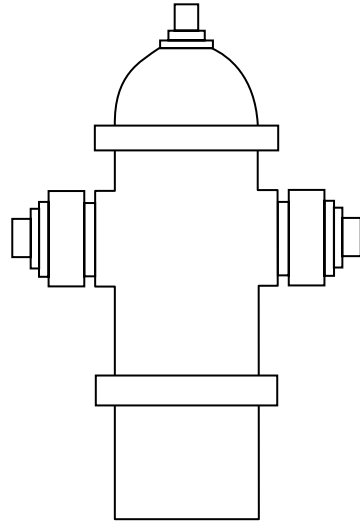
back

Style C

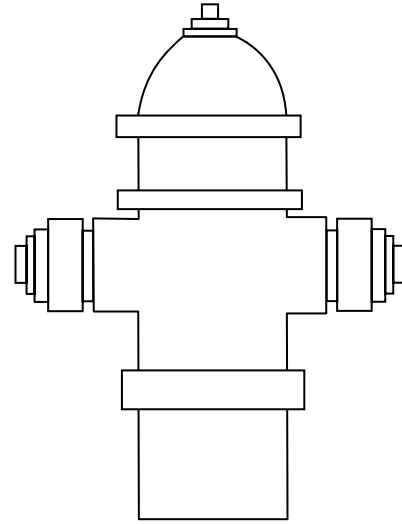


or

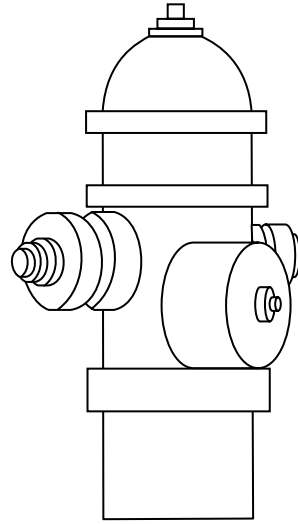
Style D



Style E

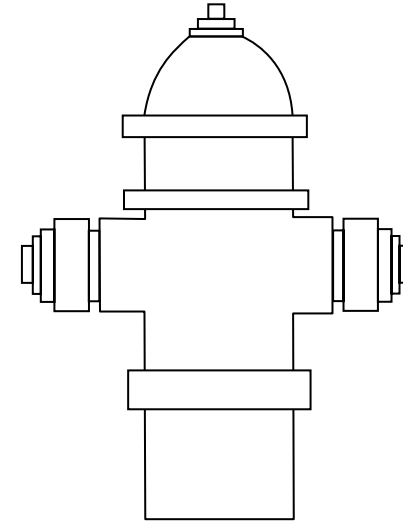


Style F

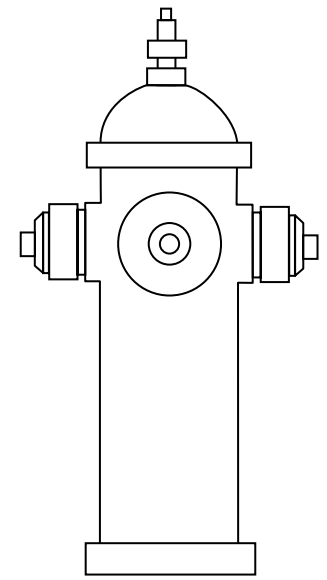


front

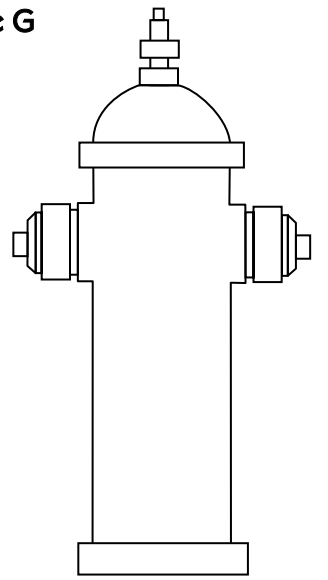
Style G



back

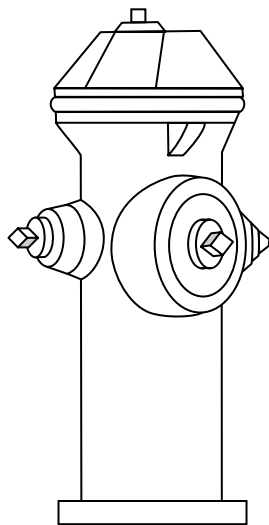


front

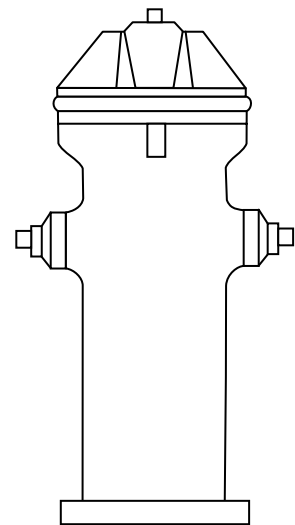


back

Style H

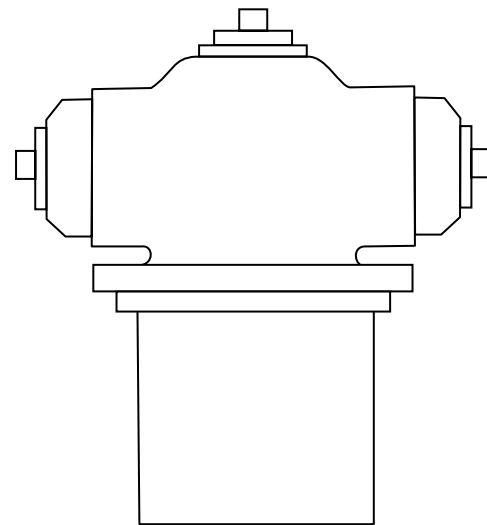


front

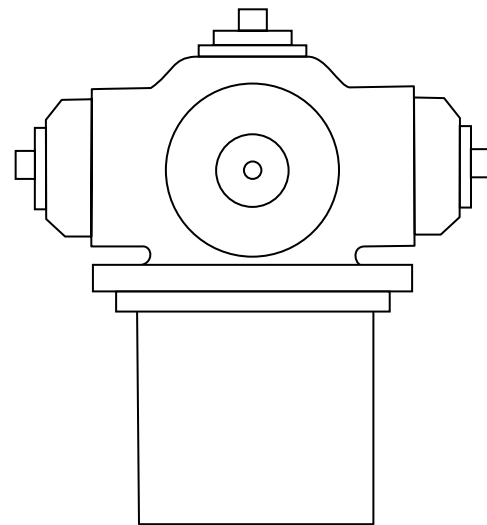


back

Style I

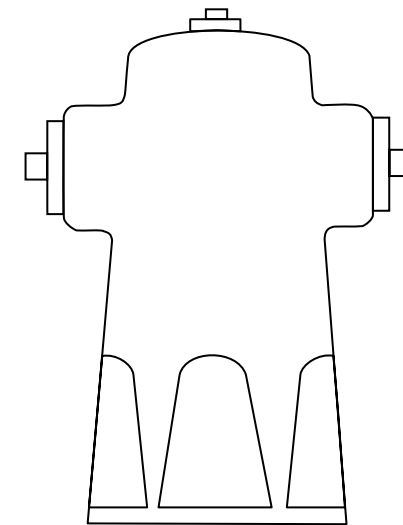


front



back

Style J



Style K

